

## HOT WATER HEAT PUMP SPECIFICATIONS

Single wall heat exchanger / thermostat control	<b>RTHW040KS-DEV-1</b>
Double wall heat exchanger / thermostat control	<b>RTHW040KV-DEV-1</b>
Single wall heat exchanger / Rheem IQ control	<b>RTHW040KS-DQV-1</b>
Double wall heat exchanger / Rheem IQ control	<b>RTHW040KV-DQV-1</b>

### ELECTRICAL INPUT

Voltage/Phase	380 - 415 Volts / 3 Phase / 50 Hz
Full Load / Locked Rotor (Amps Per Phase)	19.0 FLA / 111 LRA
Min. Circuit Size	25.0 Amps
Refrigerant	R407C
Nominal Heating capacity	39.35 kW
Power input	7.59 kW
COP	5.18 COP
Noise Level	62 dBa @ 3 m
Rated Load Amps @ 12°C SST / 51°C SCT	15.46 Amps

### TECHNICAL DATA

	Compressor	Fan
Make	Copeland	EBM-Papst
Type	Scroll 20016	Axial
Number Per Unit	1	2
FLA (Full Load Amps)	16.6 Amps	1.18 Amps (Each)
Voltage / Phase	380 - 415 / 3	220 - 240 / 1
Pole/RPM	2/2,900	6/890
Air Flow	N/A	2300 L/s

### HEAT EXCHANGER (Water Side)

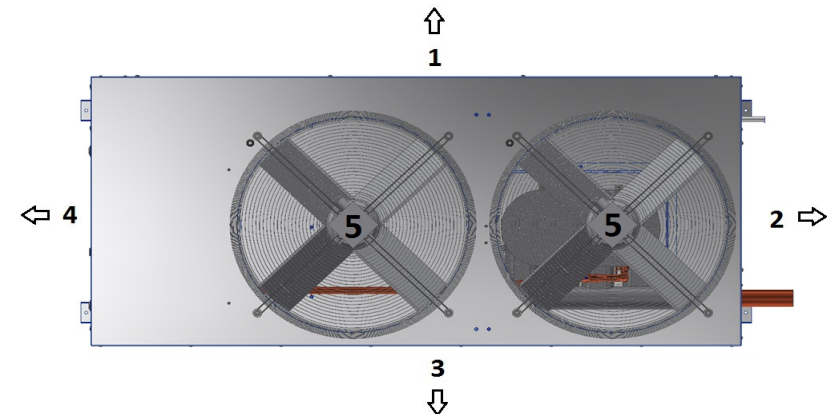
Type of Water Tube	Single Wall	Double Wall
Design	Shell and Tube	Co-axial Vented
Flow Rate Excl. By Pass	1.57 L/s	
Max. Outlet Water Temp	61°C / 65°C*	
Design Pressure Drop	50 kPa	
Max. Operating Pressure	2,450 kPa	

### GENERAL INFORMATION

Water Connections	50.8mm (2") Copper
Drain	20mm aluminium
Defrost	Hot Gas Injection
Cabinet Construction	1.2mm Stucco Aluminium
Approx. shipping weight	220 kg
Size L x W x H	1755mm x 807mm x 994mm

## COP TABLE

Water Out °C	Ambient Temperature					
	10 °C	15 °C	20 °C	25 °C	30 °C	35 °C
45 °C	30.91 kW	32.80 kW	34.85 kW	36.98 kW	39.35 kW	40.29 kW
	4.09 COP	4.33 COP	4.60 COP	4.88 COP	5.18 COP	5.31 COP
50 °C	30.17 kW	31.96 kW	33.92 kW	35.96 kW	38.15 kW	39.07 kW
	3.59 COP	3.80 COP	4.04 COP	4.28 COP	4.54 COP	4.65 COP
55 °C	29.58 kW	31.30 kW	33.16 kW	35.09 kW	37.19 kW	38.06 kW
	3.24 COP	3.43 COP	3.63 COP	3.84 COP	4.07 COP	4.17 COP
60 °C	29.13 kW	30.85 kW	32.65 kW	34.50 kW	36.54 kW	37.38 kW
	2.99 COP	3.17 COP	3.35 COP	3.54 COP	3.75 COP	3.84 COP



### UNIT CLEARANCES

Direction	Description	Minimum Clearance Required
1	Evaporator Coil	1000mm
2	Water Connections	500mm
3	Plain Back	Nil
4	Compressor Access	850mm
5	Top – Fan Discharge	3500mm

When units placed side by side allow 2000mm between evaporator coils.

Rating Conditions: 30°C ambient, 60% RH, 39°C Water in, 45°C Water out

\* Max outlet temperature when ambient is above 20°C

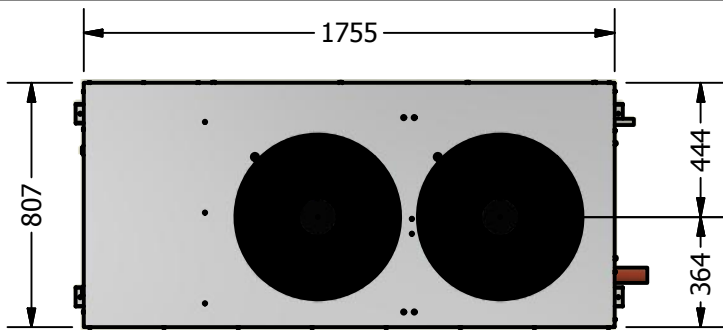


**Rheem**

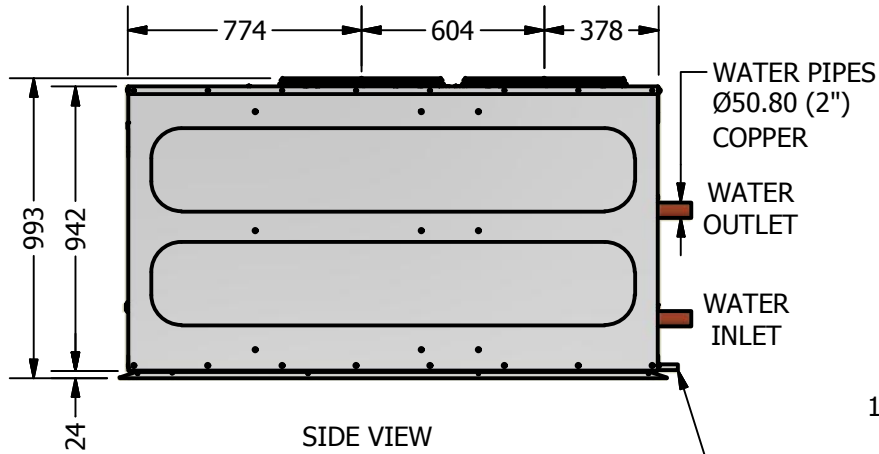
THERMAL SYSTEMS GROUP

**Manufactured In Australia by Rheem Thermal Systems Group**

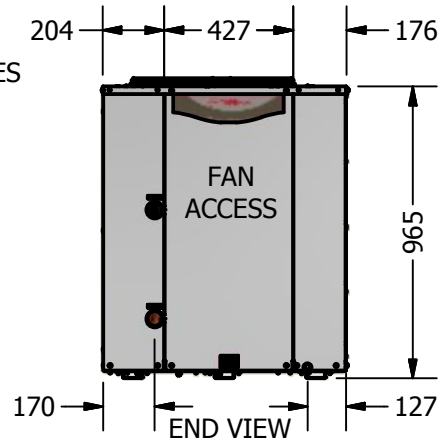
Unit specifications subject to change without notice. ABN 28 062 383 224



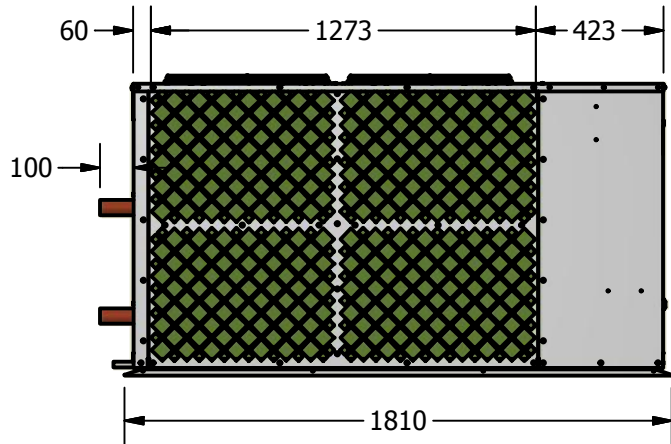
TOP VIEW



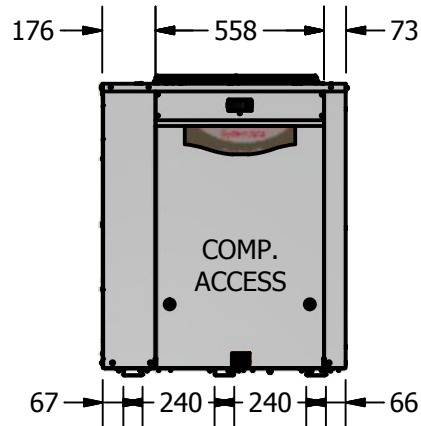
SIDE VIEW



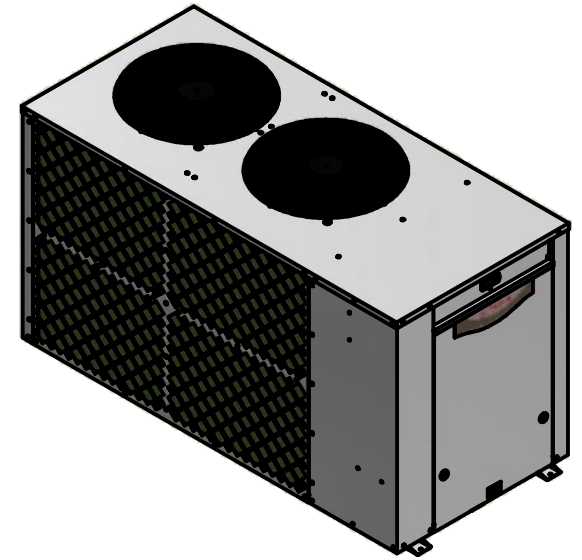
END VIEW




SIDE VIEW

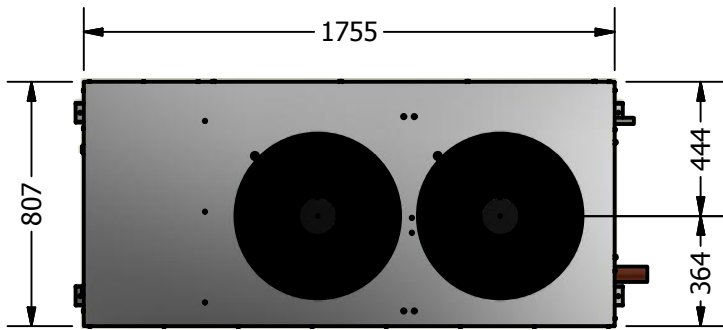


END VIEW

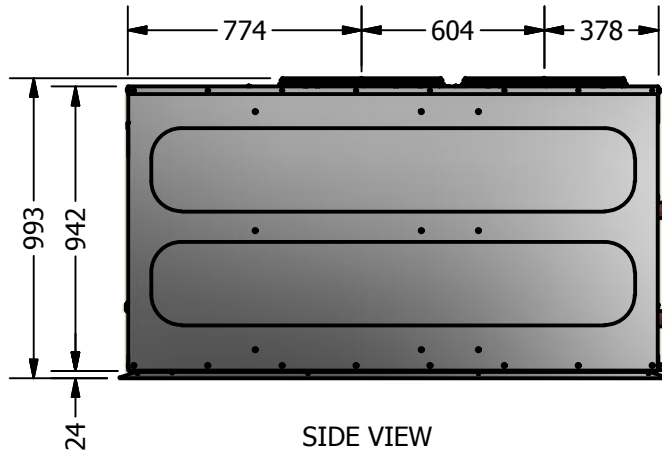


REV	ECN	DESCRIPTION	DATE

 <b>Rheem</b> THERMAL SYSTEMS GROUP		SHEET 1 OF 3	
		RHEEM THERMAL A2W RTHW	
<b>Description:</b>	RHEEM THERMAL A2W RTHW		
<b>Part No:</b>	RTHW040K#-DEV-1	<b>Rev.</b>	
<b>Material:</b>		<b>Date:</b>	15/06/2018
<b>Drawn By:</b>	JPB	<b>Checked By:</b>	
<b>General Tolerance:</b>	Sheetmetal - Cut Size - ± 0.5mm, Angle - ± 0.5°, Bend size - ± 0.3mm Tubes - Dimensions ± 2, Angle ± 2°		<b>Scale:</b> N.T.S



TOP VIEW



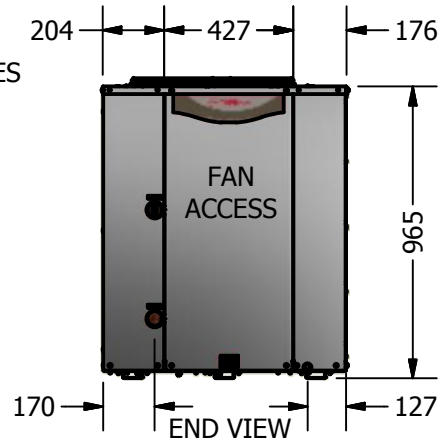
SIDE VIEW

WATER PIPES  
Ø50.80 (2")  
COPPER

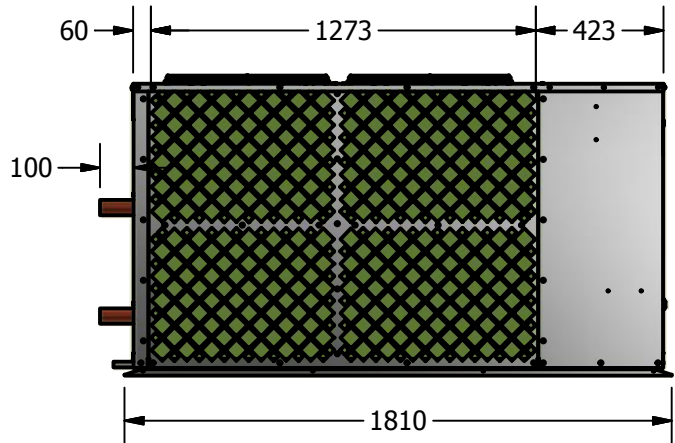
WATER  
OUTLET

WATER  
INLET

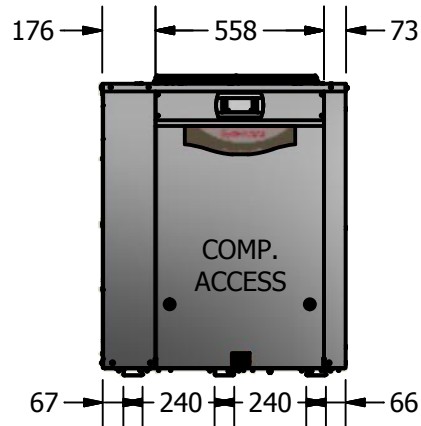
CONDENSATE DRAIN Ø20mm



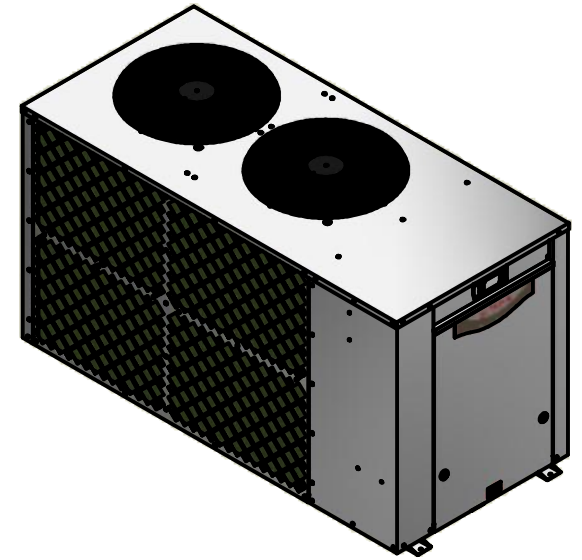
END VIEW




SIDE VIEW



END VIEW



REV	ECN	DESCRIPTION	DATE

 <b>Rheem</b> THERMAL SYSTEMS GROUP		SHEET 1 OF 3	
		Description: RHEEM THERMAL A2W RTHW	
Part No: RTHW040K#-DQV-1		Rev:	
Material:		Date:	15/06/2018
Drawn By: JPB	Checked By:		
General Tolerance:	Sheetmetal - Cut Size - ± 0.5mm, Angle - ± 0.5°, Bend size - ± 0.3mm Tubes - Dimensions ± 2, Angle ± 2°		Scale: N.T.S